

# Radial spherical plain bearings GE..FW

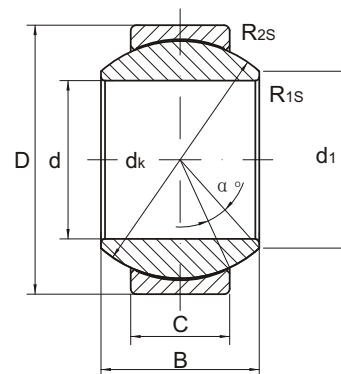


## 向心关节轴承

□ Maintenance-free, heavy-duty 无润滑，重负载

- Outer ring pressed around inner ring.
- Outer race lined with CSB-FR PTFE composite material.
- Spherical surface of inner ring hard chrome plated.

- 外圈挤压成型。
- 外圈球面粘贴有CSB-FR PTFE复合材料。
- 内圈球面镀铬。



Part No. 型号	Dimensions 尺寸mm									Load ratings 负荷KN		Weight 重量Kg
	d	D	B	C	d <sub>1</sub> min	d <sub>k</sub>	R <sub>1s</sub> min	R <sub>2s</sub> min	$\alpha$ ≈	dyn. 动 C <sub>d</sub>	stat. 静 C <sub>s</sub>	
GE 6 FW	6	16	9	5	9	13	0.3	0.3	21	5.8	14	0.008
GE 8 FW	8	19	11	6	11	16	0.3	0.3	21	8.6	21	0.014
GE 10 FW	10	22	12	7	13	18	0.3	0.3	18	11	28	0.021
GE 12 FW	12	26	15	9	16	22	0.3	0.3	18	18	45	0.033
GE 15 FW	15	30	16	10	19	25	0.3	0.3	16	22	56	0.049
GE 17 FW	17	35	20	12	21	29	0.3	0.3	19	31	78	0.083
GE 20 FW	20	42	25	16	24	35.5	0.3	0.3	17	51	127	0.153
GE 25 FW	25	47	28	18	29	40.7	0.6	0.6	17	65	166	0.203
GE 30 FW	30	55	32	20	34	47	0.6	0.6	17	83	212	0.304